

# User's Manual

## RDS735UA MP3- COMPATIBLE IN-DASH CD RECEIVER WITH FRONT PANEL AUX INPUT AND USB PORT

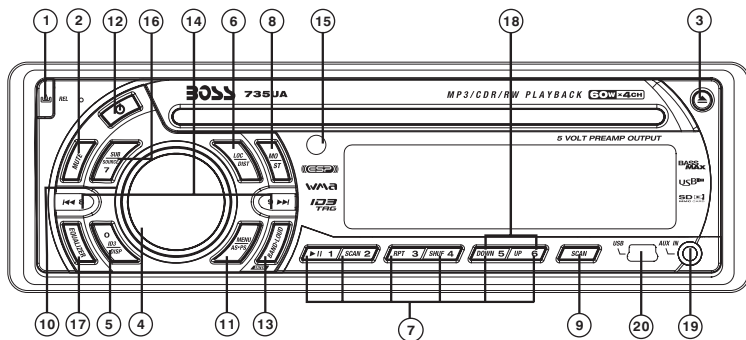
RDS EUROPEAN  
FREQUENCY MODEL



# BOSS<sup>®</sup>

## AUDIO SYSTEMS

# 1. BUTTONS LOCATION AND FUNCTIONS



## EN

1. Panel Release Button
2. Mute Button
3. CD Eject Button
4. Audio Button
5. Display Button / ID3 Information Button
6. Local / Distant Button
7. Preset Memory Buttons
8. Mono / Stereo Button
9. Scan Button
10. Volume Knob
11. MP3 Menu Button & Automatically Store / Preset Scan Button
12. Power Button
13. Band/Loudness Button / MP3 Enter Button
14. Tuning Up/Down & Track Up / Down Buttons
15. Remote Control Receiver
16. Source Button
17. Preset Equalizer Button
18. Folder Down / Up Buttons
19. Aux In Jack
20. USB Slot

## PT

1. Tecla para remover o painel frontal
2. Tecla Mute
3. Tecla para ejetar o disco
4. Tecla de ajuste de audio
5. Tecla Display / informação MP3-ID3
6. Tecla Local/Distante
7. Teclas de memória de estações
8. Tecla estéreo/mono
9. Tecla Scan
10. Controle de volume
11. Tecla Menu e memorização automática (As) / Preset Scan (Ps)
12. Tecla Ligar/desligar
13. Tecla Banda / Loudness / MP3 Enter
14. Teclas de sintonização de estações / mudança de faixas de música
15. Sensor do controle remoto
16. Tecla Source
17. Tecla Equalizador pré-programado
18. Tecla Seleção de pastas
19. Entrada Auxiliar
20. Entrada USB

## DE

1. Entriegel-Taste Bedienteil
2. Stumm-Taste
3. CD-Auswurf-taste
4. Audio-Taste
5. Display- / ID3-Taste
6. Local / Distant-Taste
7. Senderspeichertasten
8. Mono / Stereo-Taste
9. Scan- Taste
10. Lautstärkenregler
11. AMS Taste / MP3 Suchlauf Taste
12. Einschalt-Taste
13. Frequenzband-Taste / MP3 Eingabe-Taste
14. Titel AUF / AB - Taste
15. Fernbedienungs-Taste
16. Source-Taste
17. PEQ-Taste
18. Folder Down / Up - Taste
19. Front-Audio-Anschluss
20. USB Taste

## ES

1. Extracción del panel frontal
2. Mute / silenciamiento de sonido instantaneo.
3. Apertura del panel motorizado y expulsión del disco
4. Tecla Audio
5. Selección información Display/ID3 TAG muestra
6. Botón Distancia/Local
7. Botones de estaciones memorizadas
8. Botón selección mono/estéreo
9. Botón De Búsqueda
10. Botón De Volumen
11. Menú del Sistema de Memorización Automática de emisoras / selección de memorias
12. Encendido/Apagado
13. Selector Bandas / Bajos/MP3
14. Botón de selección de emisoras & banda de música
15. Receptor de control remoto
16. Selección modos Radio/CD/Entrada auxiliar
17. Tecla de eualización
18. Botón de selección de carpeta/folder
19. Entrada de auxiliar
20. Entrada de USB

## FR

1. Bouton De Déclenchement Du Panneau
2. Bouton D'assourdissement
3. Bouton Ejection D'un Cd
4. Bouton De Sélection Audio / Entrée De MP3
5. Bouton D'écran / Affichage D'information Sur Les Disques MP3
6. Bouton Local/distant
7. Boutons Des Stations Préréglées (m1 - m6)
8. Bouton De La Stéreo Du Mono
9. Bouton Du Scanner
10. Bouton De Volume
11. Bouton De Menu & Bouton De Stockage Des Stations Dans La Mémoire
12. Bouton D'alimentation
13. Bouton De Bande / Entrée De MP3
14. Bouton De Recherche Des Stations/pistes : En Avant / En Arrière
15. Récepteur De La Commande À Distance
16. Bouton De Régime
17. Bouton De PEQ
18. Dossier En Le Bouton/ Vers Le Haut Le Bouton
19. Aux A Jack
20. USB Slot

## IT

1. Tasto Rilascio Frontalino
2. Tasto Mute
3. Tasto Eject
4. Audio Controllo
5. Tasto Display/ID3 (informazioni)
6. Bottone Distanto Locale
7. Tasti Stazioni Memorie Preimpostate
8. Bottone di Stereo/Du Mono
9. Tasto Scan
10. Tasto Volume
11. Tasto Menu & AS/PS
12. Tasto Power
13. Tasto Banda/Forte & Enter MP3
14. Tasto sintonizzazione su/gui & traccia su/gui
15. Destinatario di controllo remoto
16. Tasto Mode
17. Bottone di equalizzatore preprogrammato
18. Bottone di Cartella su/gui
19. Entrata Aux
20. Entrata USB

## 2. HANDLING COMPACT DISCS

### MOISTURE CONDENSATION

On a rainy day or in a very damp area, moisture may condense on the lenses inside the unit. Should this occur, the unit will not operate properly. In such a case, remove the disc and wait for about an hour until the moisture has evaporated.

### NOTES ON CDs

1. A dirty or defective disc may cause sound dropouts while playing. To enjoy optimum sound, handle the disc as follows. Handle the disc by its edge. To keep the disc clean, do not touch the surface (P.1).



2. Do not stick paper or tape on the disc (P.2).



3. Do not expose the discs to direct sunlight or heat sources such as hot air-ducts, or leave them in a car parked in direct sunlight where there can be a considerable rise in temperature inside the car (P.3).



4. Before playing, clean the discs with an optional cleaning cloth. Wipe each disc from the center out (P.4).



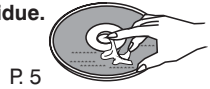
5. Do not use solvents such as benzene, thinner, commercially available cleaners, or antistatic spray intended for analog discs.

### NOTES ON DISCS

If you use the discs explained below, the sticky residue can cause the CD to stop spinning and may cause malfunction or ruin your discs.

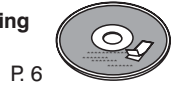
Do not use second-hand or rental CDs that have a sticky residue on the surface (for example, from peeled-off stickers or from ink, or glue leaking from under the stickers).

**There are paste residue. Ink is sticky (P.5).**



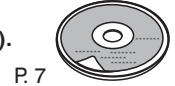
Do not use CDs with old labels that are beginning to peel off.

**Stickers that are beginning to peel away, leaving a sticky residue (P.6).**



Do not use your CDs with labels or stickers attached.

**Labels are attached (P.7).**



**Do Not Use Special Shape CDs**

Be sure to use round shape CDs only for this unit and do not use any special shape CDs. Use of special shape CDs may cause the unit to malfunction.(P.8).



Be sure to use CDs with disc mark

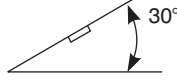


Only for this unit.

CD-Rs and CD-RWs which have not undergone finalization processing cannot be played. (For more information on finalization processing, refer to the manual for your CD-R/CD-RW writing software or CD-R/CD-RW recorder.) Additionally, depending on the recording status, it may prove impossible to play certain CDs record on CD-R or CD-RW.

### 3. INSTALLATION

- Before finally installing the unit, connect the wiring temporarily and make sure it is all connected up properly and the unit and system work properly.
- Use only the parts included with the unit to ensure proper installation. The use of unauthorized parts can cause malfunctions.
- Consult with your nearest dealer if installation requires the drilling of holes or other modifications of the vehicle.
- Install the unit where it does not get in the driver's way and cannot injure the passenger if there is a sudden stop, like an emergency stop.
- If installation angle exceeds 30° from horizontal, the unit might not give its optimum performance.



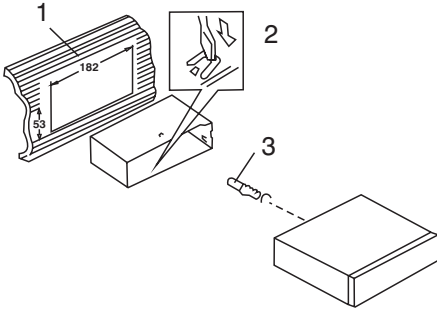
- Avoid installing the unit where it would be subject to high temperature, such as from direct sunlight, or from hot air, from heater, or where it would be subject to dust dirt or excessive vibration.
- Be sure to remove the front panel before installing the unit.

#### DIN FRONT/REAR-MOUNT

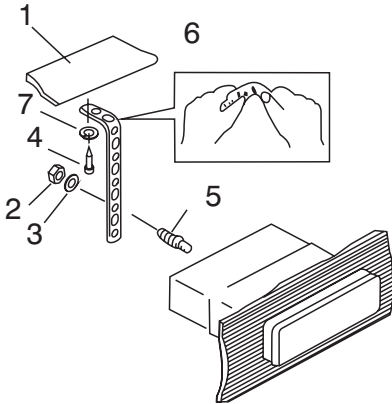
This unit can be properly installed either from "Front" (conventional DIN Front-mount) or "Rear" (DIN Rear-mount installation, utilizing threaded screw holes at the sides of the unit chassis). For details, refer to the following illustrated installation methods A and B.

##### DIN FRONT-MOUNT (Method A)

###### Installation the unit

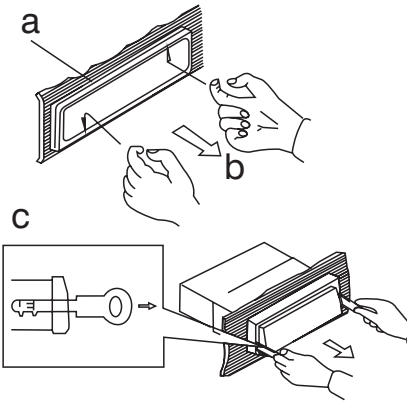


1. Dashboard
2. Holder  
After inserting the half sleeve into the dashboard, select the appropriate tab according to the thickness of the dashboard material and bend them inwards to secure the holder in place.
3. Screw



1. Dashboard
2. Nut (5mm)
3. Spring washer
4. Screw (4x12mm)
5. Screw
6. Support Strap  
Be sure to use the support strap to secure the back of the unit in place. The strap can be bent by hand to the desired angle.
7. Plain washer

## Removing the unit



- a. Frame
- b. Insert fingers into the groove in the front of frame and pull out to remove the frame. (When re-attaching the frame, point the side with a groove down wards and attach it.)
- c. Insert the levers supplied with the unit into the grooves at both sides of the unit as shown in figure until they click. Pulling the levers makes it possible to remove the unit from the dashboard.

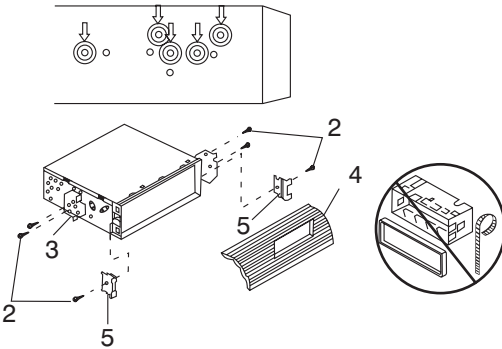
## Trim Plate Installation:

Push the trim plate against the chassis until it is fitted.

**You must do this before you install the front panel, otherwise it can't be attached.**

## DIN REAR-MOUNT (METHOD B)

Installation using the screw holes on the sides of the unit.  
Fastening the unit to the factory radio mounting bracket.

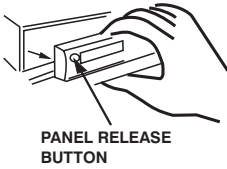


1. Select a position where the screw holes of the bracket and the screw holes of the main unit become aligned (are fitted) and tighten the screws at 2 places on each side.
2. Screw
3. Factory radio mounting bracket.
4. Dashboard or Console
5. Hook (Remove this part)

Note: the mounting box, outer trim ring, and half-sleeve are not used for method B installation.

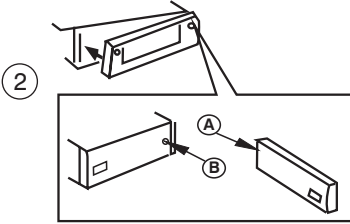
## 4. DETACHABLE CONTROL PANEL (D.C.P.)

### Removing The Detachable Control Panel (D.C.P.).



1. Turn the power off
2. Press the D.C.P. release button
3. Remove the D.C.P.

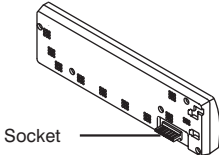
### Attaching the DCP



1. Attach the panel at the right side first, with point B on the main unit touching point A on the D.C.P. (As shown on the diagram).
2. Then press the left side of D.C.P. onto the main unit until a “click” sound is heard.

### CAUTION

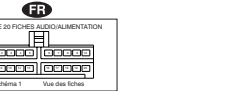
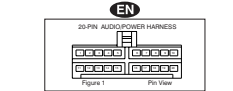
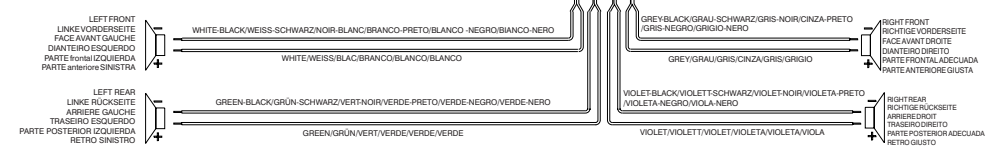
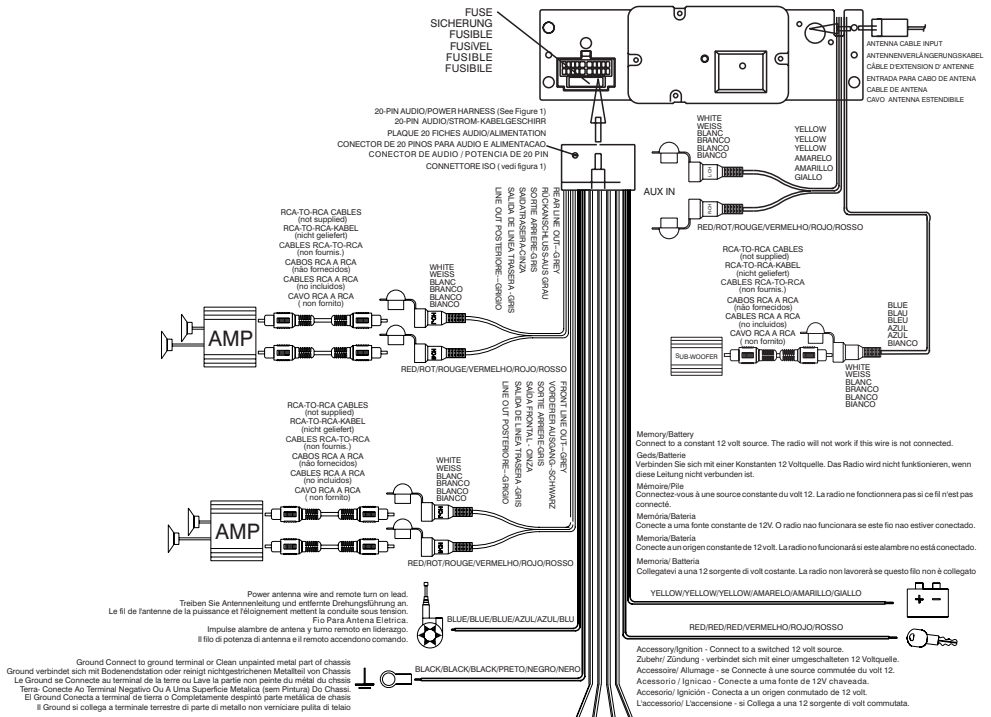
- DO NOT insert the D.C.P from the left side. Doing so may damage it.
- The D.C.P can easily be damaged by shocks. After removing it, place it in a protective case and be careful not to drop it or subject it to strong shocks.
- When the release button is pressed and the D.C.P is unlocked, the car's vibrations may cause it to fall. To prevent damage to the D.C.P, always store it in a protective case after detaching it.
- The rear connector that connects the main unit and the D.C.P is an extremely important part. Be careful not to damage it by pressing on it with fingernails, pens, screwdrivers, etc.



### Note:

If the D.C.P is dirty, wipe off the dirt with soft, dry cloth only. And use a cotton swab soaked in isopropyl alcohol to clean the socket on the back of the D.C.P.

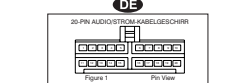
# 5. WIRING DIAGRAM (20 PIN HARNESS PLUG)



PIN	WIRE COLOR	FUNCTION LABEL
1	GREEN/BLACK	RIGHT FRONT SPEAKER (+)
2	GREEN	RIGHT FRONT SPEAKER (-)
3	VIOLET	RIGHT REAR SPEAKER (+)
4	VIOLET/BLACK	RIGHT REAR SPEAKER (-)
5	GREEN	LEFT FRONT SPEAKER (+)
6	GREEN/BLACK	LEFT FRONT SPEAKER (-)
7	RED	IGNITION (ACC)
8	BLACK	REAR PRE-AMP LINE OUT COMMON
9	GREEN/BLACK	RIGHT REAR PRE-AMP LINE OUT
10	WHITE	LEFT FRONT PRE-AMP LINE OUT
11	WHITE	LEFT FRONT SPEAKER (+)
12	BLACK/BLACK	LEFT FRONT SPEAKER (-)
13	BLUE	POWER ANTENNA
14	YELLOW	BATTERY (-)
15	BLACK	CHASSIS GROUND
16	WHITE	SCOTIE FRONT PRE-AMP LINE OUT
17	RED	RIGHT FRONT PRE-AMP LINE OUT
18	BLACK	FRONT PRE-AMP LINE OUT COMMON
19	BLACK	FRONT REAR PRE-AMP LINE OUT
20	WHITE	LEFT REAR PRE-AMP LINE OUT

PIN	COULEUR DU CABLE	FONCTION / MARGÉE
1	SPRINON	ENCLÉNTANT AVANT DROIT (+)
2	GRIS	ENCLÉNTANT AVANT DROIT (-)
3	VIOLET	ENCLÉNTANT ARRIERE DROIT (+)
4	NOIR/VERT	ENCLÉNTANT ARRIERE DROIT (-)
5		
6	VERT	ENCLÉNTANT ARRIERE GAUCHE (+)
7	VERT NOIR	ENCLÉNTANT ARRIERE GAUCHE (-)
8	ROUGE	ALLUMAGE (ACC)
9	NOIR	SCOTIE COMME LA ARRIERE PRE-AMP
10	ROUGE	SCOTIE PRE-AMP ARRIERE DROITE
11	BLANC	ENCLÉNTANT AVANT GAUCHE (+)
12	NOIR/BLANC	ENCLÉNTANT AVANT GAUCHE (-)
13	BLEU	AUSSENAGE ANTENNE
14	JAUNE	BATTERIE (-)
15	NOIR	CHASSIS TERRE
16	BLANC	SCOTIE AVANT GAUCHE PRE-AMPLI
17	ROUGE	SCOTIE AVANT DROITE PRE-AMPLI
18	NOIR	SCOTIE PRE-AMP COMME PRE-AMPLI
19	NOIR	SCOTIE PRE-AMP ARRIERE GAUCHE
20	BLANC	SCOTIE PRE-AMP ARRIERE GAUCHE

PIN	COLOR DE CABLE	FUNCIÓN
1	GRIS/NEGRO	ALTOFALANTE DERECHO (+)
2	GRIS	ALTOFALANTE DERECHO (-)
3	VIOLETA	ALTOFALANTE TRASERO DERECHO (+)
4	VIOLETA/NEGRO	ALTOFALANTE TRASERO DERECHO (-)
5		
6	VERDE	ALTOFALANTE IZQUIERDO (+)
7	VERDE/NEGRO	ALTOFALANTE IZQUIERDO (-)
8	ROJO	IGNICIÓN (ACC)
9	NOIR	LINEA DE SALIDA PRE-AMP TRASERA DERECHA
10	ROJO	LINEA DE SALIDA PRE-AMP TRASERA IZQUIERDA
11	BLANCO	ALTOFALANTE FRONTAL DERECHA (+)
12	BLANCO/NEGRO	ALTOFALANTE FRONTAL DERECHA (-)
13		
14	AZUL	ALIMENTACIÓN ANTENA
15	AMARELO	BATERIA (-)
16	NEGRO	CHASSIS DE TERRA
17	BLANCO	SALIDA PRE-AMP FRONTAL DERECHA
18	ROJO	SALIDA PRE-AMP FRONTAL IZQUIERDA
19	NEGRO	SALIDA PRE-AMP FRONTAL COMUN
20	BLANCO	LINEA DE SALIDA PRE-AMP TRASERA IZQUIERDA



PIN	KABELFARBE	FUNKTION / ETIKETT
1	GRÜN/SCHWARZ	RECHTER VORDERE/ALTSPEICHER (+)
2	GRÜN	RECHTER VORDERE/ALTSPEICHER (-)
3	VIOLETT	RECHTER HINTERE/ALTSPEICHER (+)
4	VIOLETT/SCHWARZ	RECHTER HINTERE/ALTSPEICHER (-)
5		
6	GRÜN	LINKER VORDERE/ALTSPEICHER (+)
7	GRÜN/SCHWARZ	LINKER VORDERE/ALTSPEICHER (-)
8	ROT	ZÜNDUNG (ACC)
9	SCHWARZ	ROCK-PRÉ-AMP ANSCHLUSS AUS
10	GRÜN/SCHWARZ	LINKER HINTERE/ALTSPEICHER (+)
11	WEISS	LINKER HINTERE/ALTSPEICHER (-)
12	WEISS/SCHWARZ	LINKER VORDERE/ALTSPEICHER (+)
13	WEISS/SCHWARZ	LINKER VORDERE/ALTSPEICHER (-)
14	BLAU	MOTORISIERTE ANTENNE
15	DELLI	BATTERIE (-)
16	SCHWARZ	GEWÄHRTERUNG
17	WEISS	HINTERER VORDERE/ALTSPEICHER AUS
18	ROT	RECHTER VORDERE/ALTSPEICHER AUS
19	ROT/SCHWARZ	LINKER HINTERE/ALTSPEICHER AUS
20	WEISS	LINKER HINTERE/ALTSPEICHER AUS

PIN	COLOR DO FIO	FUNÇÃO / ETIQUETA
1	CINZA/PRÉTO	ALTO FALANTE DIANTERO DRETO (+)
2	CINZA	ALTO FALANTE DIANTERO DRETO (-)
3	VIOLETA	ALTO FALANTE DIANTERO DRETO (+)
4	VIOLETA/PRÉTO	ALTO FALANTE DIANTERO DRETO (-)
5		
6	VERDE	ALTO FALANTE TRASERO ESQUERO (+)
7	VERDE/PRÉTO	ALTO FALANTE TRASERO ESQUERO (-)
8	VERMELHO	IGNICÃO (ACC)
9	PRÉTO	SÁDIDA PRÉ-AMP TRASERA PRÉ COMUM
10	VERMELHO	SÁDIDA PRÉ-AMP TRASERA DRETA
11	BRANCO	ALTO FALANTE DIANTERO ESQUERO (+)
12	BRANCO/PRÉTO	ALTO FALANTE DIANTERO ESQUERO (-)
13		
14	AZUL	ANTENA ELÉTRICA
15	AMARELO	BATERIA (-)
16	PRÉTO	MAXIMA DA TERRA
17	BRANCO	SÁDIDA PRÉ-AMP FRONTAL ESQ
18	VERMELHO	SÁDIDA PRÉ-AMP FRONTAL DR
19	PRÉTO	SÁDIDA PRÉ-AMP FRONTAL COMUM
20	BRANCO	SÁDIDA PRÉ-AMP TRASERA ESQUERDA

PIN	COLORO CAVO	FUNZIONE
1	GRIGIO/NERO	CASSA ANTERIORE DESTRA (+)
2	GRIGIO	CASSA ANTERIORE DESTRA (-)
3	VIOLETA	CASSA POSTER. DESTRA (+)
4	VIOLETA/NERO	CASSA POSTER. DESTRA (-)
5		
6	VERDE	CASSA POSTER. SINISTRA (+)
7	VERDE/NERO	CASSA POSTER. SINISTRA (-)
8	ROSSO	ACCENSIONE (ACC OLTRE MEDIO)
9	NERO	MESSA A TERRA
10	ROSSO	SCOTIE ARRIERE CASSA POST. DESTRA
11	BLANCO	CASSA ANTERIORE SINISTRA (+)
12	BIANCO/NERO	CASSA ANTERIORE SINISTRA (-)
13		
14	BLU	ANTENNA
15	GIALLO	BATERIA
16	NERO	MESSA A TERRA
17	BIANCO	SCOTIE FRONTALI SINISTRO PRE-AMP
18	ROSSO	SCOTIE FRONTALI DESTRO PRE-AMP
19	BLACK	SCOTIE FRONTALI COMUN PRE-AMP
20	BIANCO	AMPLIFICATORE CASSA POST. ESQ



## 6. BASIC OPERATIONS

### 1) PANEL RELEASE BUTTON (REL)

Press this button to remove the control panel.

### 12) POWER ON/OFF BUTTON

Press this button to turn on or off the power.

### 5) DISPLAY BUTTON (DISP)

Press this button briefly, the LCD will display the clock for about 2 seconds, then return to previous display mode.

#### Clock Adjustment

Under clock display mode, press DISP button until the LCD flashes, press Tuning Up Button to adjust hour and Tuning Down Button to adjust minute.

### 16) SOURCE BUTTON (SOURCE)

- Press this button to select different source, sequence as follow:

- A) Tuner mode (Radio)
- B) CDP / MP3 (only if a CD or MP3 disc is inserted)
- C) USB (only if a USB drive is inserted)
- D) SD / MMC (Only if a SD or MMC card is inserted)
- E) AUX IN (Only if this unit with this features)

- **MODE PRIORITY**

Whenever a USB or SD/MMC is being inserted, unit will automatically switch to USB or SD/MMC mode, does not matter the unit is currently in what source.

When in USB or SD / MMC source, if the USB or SD / MMC is being removed, unit will automatically switch to radio source.

#### SUB-WOOFER ON/OFF

Press SOURCE button for more than 3 seconds to activate or turn off the Sub-woofer (Sub-woofer on/off is an optional feature).

### 19) FRONT (AND REAR PANEL) AUXILIARY INPUT JACKS

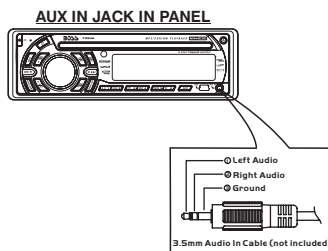
This unit features AUX IN line input jacks on both the front (headphone type) and rear (RCA type) panels.

#### PLEASE NOTE:

These two inputs cannot be used simultaneously. If you have a source unit plugged into the rear panel jack and wish to listen to a portable device (such as an MP3 player) by using the front panel jack, be sure to power off the unit plugged into the rear unit to avoid interference.

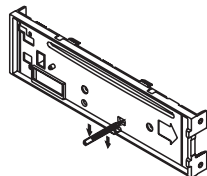
Similarly, if you have a device plugged into the front panel jack and wish to listen to the unit plugged into the rear panel, be sure to turn off the front panel device.

To select either the front or rear AUX IN device as a listening source, press the SOURCE button to select AUX mode. To cancel AUX IN listening, press SOURCE again.



### RESET BUTTON

The RESET button is located on the main unit (as shown on the diagram). To press it vertically with a ballpoint pen or metal object will activate it. The reset button is to be activated for the following reasons:



- Initial installation of the unit when all wiring is completed.
- All the function buttons do not operate.
- Error symbol on the display.

**Note:** If the unit cannot function normally after resetting, please use a cotton swab soaked in isopropyl alcohol to clean the socket on the back of the control panel.



# 7. AUDIO OPERATIONS

## 10) VOLUME KNOB

Turn this knob to adjust desired volume level.

## 4) AUDIO BUTTON

Press this button to select desired audio function.

**ORDER OF FUNCTION:**

**VOLUME(VOL) -> BASS(BAS) -> TREBLE(TRE) ->BALANCE(BAL) ->FADER(FAD)**

While the selected function is displayed, turn Volume Knob to adjust the level within 5 seconds, otherwise the unit will return to volume adjustment mode.

**BEEPS 2ND,BEEP ALL ,BEEP OFF**

Press and hold SELECT button to determine how the beep sound is generated when the keys are pressed,using V-UP/V-DN to select the desired settings:

**BEEP 2ND** Beeps only when the second function of the dual function button is selected (long press).

**BEEP ALL** Beeps when any buttons is pressed.

**BEEP OFF** To disable the beep option.

## 2) MUTE BUTTON (MUTE)

Press this button to mute the sound. Press it again to resume listening.

## 17) PRESET EQUALIZER BUTTON (EQ)

Press this button to toggle the following EQ settings:

**FLAT->CLASSICS->POP M->ROCK M->DSP OFF**

At DSP OFF mode, EQ will be controlled by Bass/Treble setting.

## 13) BAND/LOUDNESS BUTTON (BAND/LOUD)

Press the Band/Loudness Button for couple of seconds to switch the loudness on or off. When Loudness is on, display will show 'Loud On' for a few seconds.

## 8. RADIO OPERATIONS

### 11) AUTO MEMORY STORE/PRESET SCAN BUTTON (AS/PS)

1. PRESET SCAN: Press AS/PS button briefly to enter Preset Scan mode, it will scan all the preset stations in the memories, you can hear that it will stay on each station for about 5 seconds.
2. AUTO MEMORY STORE: Press AS/PS button for couple of seconds to enter Auto Store mode, this feature will automatically scan the current band and enter up to 6 strongest stations into the 6 preset memories. To stop Auto Store & Scan, press the AS/PS button again.

### 7) STATION PRESET BUTTONS (M1-M6)

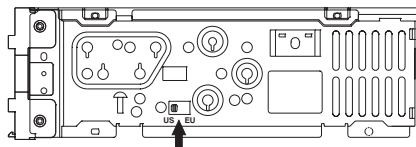
1. Press these buttons briefly to recall the stored stations in the selected band.
2. Presetting stations manually, Press the BAND button to select the band for the stations to be preset. Use Tuning Up/Down to tune in the stations to be preset. Press the Preset button at which you want to store the station for at least 2 second. The preset number will appear on the display accompanied by a beep, this indicates that the station has been stored into memory.

### 13) BAND/LOUDNESS BUTTON (BAND/LOUD)

This a dual function button. Press this button shortly to change between BAND FM1, FM2, FM3 or AM bands. Press this button for couple of seconds to turn Loudness function on or off.

#### DUAL FREQUENCY SWITCH

Unit is defaulted in U.S.A frequency, if EURO frequency is required, a sharp pen is needed to switch the button on the left side of the chassis to EURO frequency.



### 14) TUNING / SEEK UP AND TUNING / SEEK DOWN BUTTONS

1. Press these buttons briefly, and the unit will operate in AUTO SEARCH tuning mode, the radio will tune up or down to the next station and remain on that station.
2. Press these buttons for more than 2 seconds, operate as MANUAL SEARCH buttons, under this mode the tuning frequency will advance up or down rapidly when the button is pressed. If the buttons are not pressed within 3 seconds, they will return to auto search mode.

### 8) MONO STEREO BUTTON (MO/ST)

When you receive a station, "ST" on the display will be on. Press this button to enter Mono mode.

### 9) SCAN BUTTON(SCAN)

Press this button, the radio will tune up to search stations, the available stations will blink and stay on the display for a few seconds.

### 6) LOCAL/DISTANT BUTTON (LOC)

During station tuning, this button allows you prior to access strong local station only (Local mode), or to access a wider range of using distant mode (DX). When powered on, DX mode will be defaulted automatically; Press LOC button briefly to select Local mode and "LOCAL" symbol on the LCD will light up for a few seconds.

## 9.CD OPERATIONS

### M1) PAUSE BUTTON (PAUSE)

Press this button to pause CD play, press again to release pause.

### M2) SCAN BUTTON (SCAN)

Press this button, the first 10 seconds of each track will be played sequentially until this button is pressed again, then normal play will resume at the current track.

### M3) REPEAT BUTTON (REPEAT)

Press this button, the current track will be played repeatedly until this button is pressed again.

### M4) SHUFFLE BUTTON (SHUFFLE)

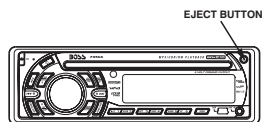
Press this button to play all tracks on CD in random. Press again to deactivate it.

### 14) TRACK UP AND TRACK DOWN BUTTON

Press the Track Up Button to skip to the next track or previous track. Press the Track Down button during play will return to the beginning of the current track, press it one more time to skip to previous skip. Press and hold Track Up/Down Button to fast forward or fast reverse. CD player starts playing when you release the button.

### EJECT BUTTON

Press this button to eject the CD from the unit. The receiver will switch to radio mode automatically.



**PLEASE READ THIS INSTRUCTION CAREFULLY  
BEFORE OPERATING THE UNIT**

**10. USB DRIVE OPERATIONS**

**COMPATIBILITY**

Due to the fast changing technology world, this unit may or may not be compatible to all the USB drive / device available with all the future technology, especially those USB drive / device which require to install a driver. Always choose a compatible USB drive / device which is compatible with this unit.

**NOTE:**

This unit is not compatible with portable Hard-Disk.

**START THE USB DEVICE MODE**

- 1.The USB socket is covered by the USB plastic cover as indicated in picture 1 (P.1). Flip open the USB plastic cover, and the USB socket will become accessible.
2. A 0.5mm USB cable is included with this unit. Please connect the USB drive /device to the unit thru the USB cable as indicated in picture (P.2), and the display will show "USB PLAY" .....the download has begun.

**NOTE:**

The unit may take a while to detect or download the USB files, detect & download time may vary depends on the type of USB drive / device.

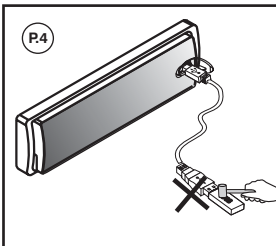
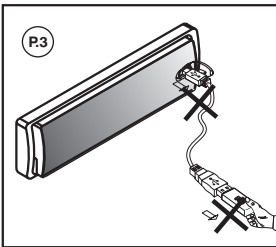
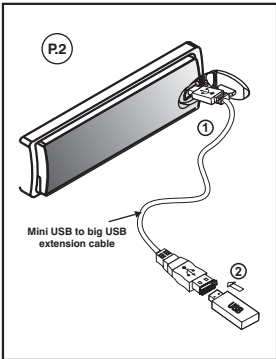
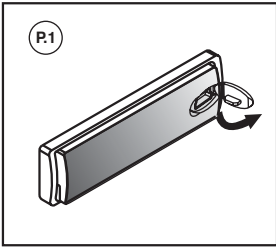
- 3.Does not matter the unit is in what mode (TUNER, CDC, CD, SD/MMC, etc), once a USB drive / device is being plugged into the unit, unit will automatically switch to USB mode.
- 4.All the USB files playback function is same as normal CD or MP3 disc playback.(Please refer to section CD operations & MP3 operations)

**TO STOP USB PLAYBACK**

- 1.The USB drive / device is unplugged, the unit automatically switch to radio mode. Or user can use mode button to switch to other mode.
- 2.User can use the mode button to choose USB mode (only if USB drive / device is inserted in the unit ) or any other modes, when they are in any mode.
  - USB 1.1 > 320KBPS
  - FILE MANAGE: FAT12 / FAT16/ FAT 32

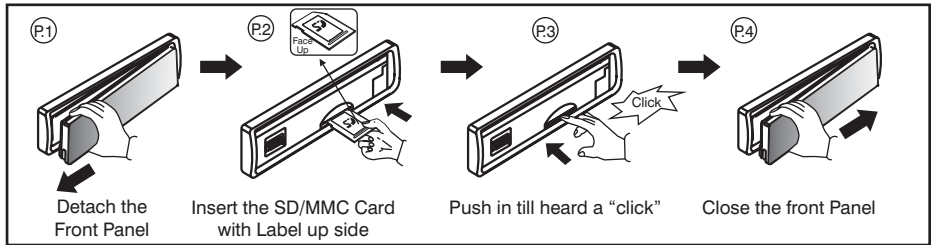
**WARNING**

1. Always unplugged the USB gently from the unit, excessive force used will cause permanent & serious damage to the unit & the USB drive / device.(P.3)
2. Please never intentionally or accidentally hit on the USB drive / device when it is plugged in. This will cause permanent & serious damage to the unit & USB drive / device.(P.4)
3. Please never try to plug in any USB drive / device with excessive weight or excessive size into the unit. Please always use USB drive / device with reasonable weight & size which will not overload the unit, which will not make performing normal operation on the front panel impossible. Excessive weight or size USB drive / device may cause permanent & serious damage to the unit. And may cause access to the buttons / knobs on the front panel impossible.



## 11. SD/MMC OPERATIONS

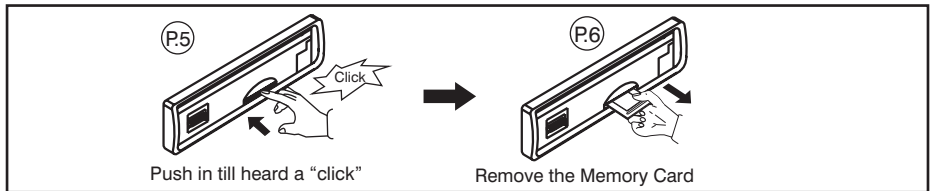
1. Press panel release button to release the front panel.(P.1)
2. The SD/MMC card slot is located on the unit as indicated in (P.2).
3. Insert the SD/MMC card into the card slot in the correct direction until a “CLICK” sound is heard.(P.3)
4. Close the front panel.(P.4)



5. The display will show “SD PLAY” to indicate that the SD or MMC card is correctly inserted. Once the SD or MMC card is inserted, the MP3 file will automatically loaded & playback will also start.
6. Does not matter the unit is in what mode (Tuner, CD, USB,etc), once a SD or MMC card is being inserted in the unit, unit will automatically switch to SD / MMC mode.
7. All the SD / MMC files playback function is same as normal CD or MP3 disc playback. (Please refer to section CD operations & MP3 operations)

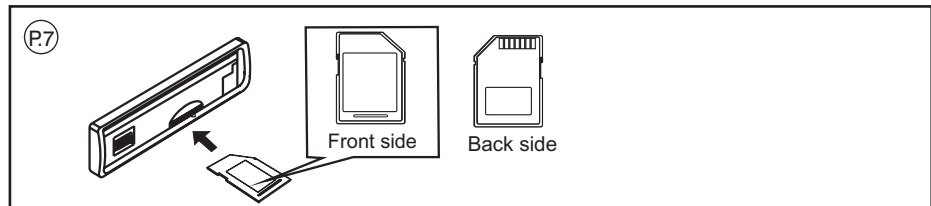
### TO STOP SD/MMC CARD PLAYBACK

1. Push on the end of the SD or MMC card to eject the sd or MMC card. Once the SD or MMC card is taken out, the unit will automatically switch to previous mode.(P5-P6)
2. User can use the mode button to choose SD / MMC mode (only if SD or MMC is inserted in the unit ) or any other modes, when they are in any mode.



### WARNING

1. Please make sure to insert the SD or MMC card in the correct direction / orientation as indicated in picture (P.7). Wrong insert will cause permanent & serious damage to the unit & the SD or MMC card.
2. Always make sure the SD or MMC card is completely inserted before re-attaching the front panel.



## 12. MP3/WMA OPERATIONS

### Notes :

- An MP3 directory is shown in this manual as "Directory", and an MP3 file is shown as "Track".
- Maximum length of file name : 28 characters.
- Maximum length of directory : 16 characters.
- Supports Multi-Session recording.
- Supports CD, CDR and CDRW.
- Disc written by Packet Write (UDF) is not supported.

MPEG1/2/2.5/ Layer 2/3

WMA Version 7/8/9

Sampling frequency

- MPEG1 : 32/44.1/48 KHz
- MPEG2 : 16/22.05/24 KHz
- MPEG2.5 : 8/11.025/12KHz
- WMA : 22/32/44/48KHz

Sampling But rate

- MP3/WMA : 32~320Kbps & VBR

CDROM Mode 1 / 2

ISO9660 Level 1 / 2 & Joliet(unicode)

Max File/DIR. Count : 255

Max DIR. Depth : 255

Sorting Method : Tree sorting

Max File/DIR. Name : 64Byte

ID3 V1.0/1.1/2.0/2.3(Max 32Byte)

### LOADING DISC

Insert the CD as usual, if it is an MP3 CD, the display will show "MP3 T01" then the message "READING" will appear, when disc scanning completed, the first track on the first directory will play.

- NOTE:
- 1) MP3 ICON turns on when a MP3 disc is playing.
  - 2) MP3 ICON is blinking when under directory/Files search mode.
  - 3) DIR ICON turns on when the playing file is a directory.

### NAVIGATING THROUGH DIRECTORIES AND TRACKS

**NOTE:** MP3 Directory / Track selection can be done by Volume Knob or Tune Up / Down Buttons Both operations will be described. Please skip this description if your model is not equipped with this feature.

### THERE ARE FOUR WAYS TO SELECT YOUR FAVORITE TRACK / DIRECTORY

#### A) SEARCHING TRACK DIRECTLY

Under MP3 play mode, press MP3 MENU BUTTON once, the display shows "MP3 T\*", enter the desired track number directly, then press MP3 ENTER BUTTON to confirm. The distribution of the number are listed as follow:

Number	1	2	3	4	5	6	7	8	9	0
Button	M1	M2	M3	M4	M5	M6	MODE	TUNE DN	TUNE UP	DISP

SEARCH TRACK NUMBER BY USING ENCODER VOLUME KNOB

Rotate the VOLUME KNOB to scroll through the numbers, then press MP3 ENTER BUTTON to confirm.

#### B) SEARCHING BY DIRECTORY OR TRACK NAME

(1) SEARCH DIRECTORY / TRACK NAME BY USING TUNE UP / DOWN BUTTON

Under MP3 Play Mode, press MP3 MENU BUTTON twice, the display shows " \* " , enter the character directly. The unit searches files and directories which have the same character which is inputted by the user. The unit shows these sorted files and directories by TUNE UP / DOWN Button (TUNE DOWN First). If the selected name is directory, the user can go into the selected directory by

Press MP3 ENTER BUTTON and continue to search the directory or file name in the directory by TUNE UP / DOWN Button (TUNE DOWN First). The selected file can be played by pressing MP3 Enter Button

The distribution of alphabetical characters are listed as follow :

Button	M1	M2	M3	M4	M5	M6	MODE	TUNE DN	TUNE UP	DISP	SEL	VOL UP/DN
Character	A,B,C	D,E,F	G,H,I	J,K,L	M,N,O	P,Q,R	S,T,U	V,W,X	Y,Z, Space	_,-, +	Move Cursor	Next/Previous Character

#### (2) SEARCH DIRECTORY / TRACK NAME BY USING VOLUME KNOB

Under MP3 Play Mode, press MP3 MENU BUTTON twice, the display shows “ \* “. Rotate the VOLUME KNOB for selecting the character. In this Encoder Search mode, SELECT button use as move cursor. Press BAND/LOUDNESS button use as MP3 CONFIRM BUTTON. The unit searches files and directories which have the same character which is inputted by the user. The unit shows these sorted files and directories by VOLUME KNOB ( ROTATE ANTI-CLOCKWISE First ). If the selected name is directory, the user can go into the selected directory by press MP3 CONFIRM BUTTON and continue to search the directory or file name in the directory by VOLUME KNOB ( ROTATE ANTI-CLOCKWISE First ) The selected file can be played by pressing MP3 CONFIRM BUTTON.

### (C) SEARCHING FROM DIRECTORY

#### (1) SEARCH DIRECTORY BY USING TUNE UP / DOWN BUTTON.

Under MP3 play mode, press MP3 MENU BUTTON three times, Then the first Directory name is shown. Press TUNE UP/DOWN (TUNE DOWN FIRST ) to navigate through the directory list, press MP3 ENTER BUTTON to select the desired directory. The display will show “ \ \ “. To select the tracks under the selected directory, by pressing TUNE UP/DOWN Buttons (TUNE DOWN FIRST) then press MP3 ENTER BUTTON to confirm when desired track is found.

#### (2) SEARCH DIRECTORY BY USING VOLUME KNOB

Under MP3 play mode, press MP3 MENU BUTTON three times, Then the first Directory name is shown. Rotate VOLUME KNOB counter-clockwise first to navigate through the directory list, press MP3 ENTER BUTTON to select the desired directory. The display will show “ \ \ “. To select the tracks under the selected directory, by Rotating VOLUME KNOB counter-clockwise first, then press MP3 ENTER BUTTON to confirm when desired track is found.

### (D) NAVIGATING THROUGH DIRECTORY BY USING M5/M6 BUTTON

Press directory up (M6) or directory down (M5) buttons to skip the current directory forward or backward by one position.

In a multi-level directories disc, the movement will take place at the current level until the last directory is reached. At this point press directory down (M5) again , it will move to the next level of directory.

### ID3 TAG

Press DISPLAY button repeatedly to Display ID3 TAG information.

If the MP3 file is available with ID3 TAG, pressing the display button repeatedly will show information in the following sequence:

SONG TITLE > ARTIST> ALBUM TITLE

If any of the ID3-TAG information is not available, pressing the DISPLAY button repeatedly will show information in the following sequence:

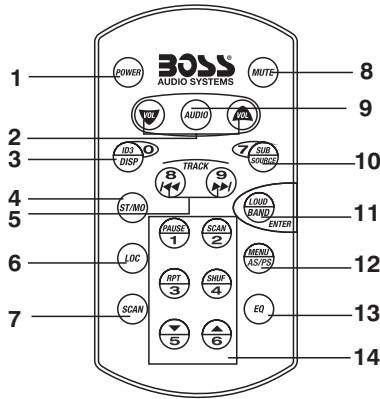
UNKNOWN SONGNAME> UNKNOWN ARTIST> NO ALBUM TITLE

If the MP3 file is without ID3 TAG, pressing the DISPLAY button, & “NO ID3 TAG” will be displayed.

The file name & track number of the MP3 file will scroll repeatedly through the display during the playing of the MP3 file.



# 13. REMOTE CONTROL



## OPERATIONS:

Key	Radio Mode	CD Player Mode	MP3 Mode
1. Power (⏻)	Power On/Off	Power On/Off	Power On/Off
2. Volume Up/Down	Adjust Vol, Bas, Tre, Fad, Bal	Adjust Vol, Bas, Tre, Fad, Bal	Adjust Vol, Bas, Tre, Fad, Bal
3. ID3/DISP	Display Clock	Display Clock	ID3 tag information Display Clock, Numeric key 0*
4. Stereo/Mono	Stereo/FM Mono	No Function	No Function
5. Tuning Up/Down	Tuning/Seek Up/Down	Track Up/Down	Track Up/Down/ Numeric key 8*9*
6. LOC	Local/Distant	No Function	No Function
7. Scan	Station Scan	No Function	No Function
8. Mute	Mute	Mute	Mute
9. Audio	Select Vol, Bas, Tre, Fad, Bal	Select Vol, Bas, Tre, Fad, Bal	Select Vol, Bas, Tre, Fad, Bal,
10. Sub-woofer(SUB)/ Source	Sub-woofer/ Change to CD/MP3 or AUX IN	Sub-woofer/ Change to Radio or AUX IN	Sub-woofer/ Change to Radio or AUX IN/ Numeric key 7*
11. Band/Loud/ Enter	Band/Loudness	Loudness	Loudness/ MP3 Enter
12. AS/PS/Menu	Auto Store/Presets Scan	No function	Menu function
13. EQ	Presets EQ	Presets EQ	Presets EQ
14. Numeric Key(1)	Presets station 1	Pause	Pause
(2)	Presets station 2	CD scan	CD scan
(3)	Presets station 3	Repeat	Repeat
(4)	Presets station 4	Shuffle	Shuffle
(5)	Presets station 5	No Function	Folder Down
(6)	Presets station 6	No Function	Folder Up

# 14. SPECIFICATIONS

**EN**

## CD PLAYER

System	Compact disc audio system
Usable disc	Compact disc
Sampling frequency	44.1KHz
No of quantization bits	1bit
Frequency	5-20,000Hz
Number of channels	2 stereo
S/N Ratio	70dB

## RADIO SECTION

<b>FM</b>	
Frequency Range	87.5-107.9MHz U.S. 87.5-108MHz EURO 10.7 Mhz
Intermediate Frequency	Better than 15dB at S/N 30 dB
Usable Sensitivity	25 dB at 1KHz
Stereo Separation	50 dB

## AM/MW

Frequency Range	530-1710KHz U.S. 522-1620KHz EURO
Intermediate Frequency	450KHz
Usable Sensitivity	Better than 45dB
S/N Ratio	40 dB

## GENERAL

Power Supply	DC 11 -14V
Polarity	Negative Ground
Speaker impedance	4 ohms
Power Output	4x 60 Watts

## REMARK :

Specifications subject to change without notice.

**DE**

## CD PLAYER

System	Compact Disc Audio System
Abspielbare Discs	Compact Disc
Sampling-Frequenz	44,1 kHz
Anzahl Quantisierungsbits	1bit
Frequenz	5-20.000Hz
Anzahl Kanäle	2 Stereo
Signalrauschabstand	70 dB

## RADIOTEIL

<b>FM</b>	
Frequenzbereich	87.5-107.9MHz U.S. 87.5-108MHz EURO 10.7 Mhz
Zwischenfrequenz	Besser als 15 dB bei einem
Nutzbare Empfindlichkeit	Signalrauschabstand von 30 dB
Stereotrennung	25 dB bei 1 kHz
Signalrauschabstand	50 dB

## AM/MW

Frequenzbereich	530-1710KHz U.S. 522-1620KHz EURO
Zwischenfrequenz	450KHz
Nutzbare Empfindlichkeit	Besser als 45 dB
Signalrauschabstand	40 dB

## ALLGEMEINES

Stromversorgung	DC 11 -14 V
Polarität	Erde negativ
Lautsprecherimpedanz	4 Ohm
Ausgangsleistung	60 W x 4

## ANMERKUNG:

Technische Änderungen ohne Meldepflicht vorbehalten.

**FR**

## LECTEUR CD

Système	Compact disc audio system
Disques utilisables	Compact disc
Fréquence échantillonnage	44,1KHz
Nbre de quantisation bits	1bit
Fréquence	5-20,000Hz
Nombre de canaux	2 stéréo
Ratio S/B	70dB

## SECTION RADIO

<b>FM</b>	
Gamme de fréquences	87.5-107.9MHz U.S. 87.5-108MHz EURO 10.7 Mhz
Fréquence intermédiaire	Plus de 15dB à S/B 30 dB
Sensibilité utilisable	25 dB à 1KHz
Séparation stéréo	50 dB
Ratio S/B	

## AM/MW

Plage de fréquences	530-1710KHz U.S. 522-1620KHz EURO
Fréquence intermédiaire	450KHz
Sensibilité utilisable	Supérieure à 45 dB
Rapport Signal/Bruit	40 dB

## GENERAL

Alimentation	11 -14V DC
Polarité	Masse / négative
Résistance des enceintes	4 ohms
Puissance de sortie	60W x 4

**PT**

## CD Player

Sistema:	Sistema áudio CD
Tipo de disco:	CD
Frequência de Amostragem:	44.1KHz
Conversor D/A:	1bit
Resposta de frequência	5-20,000Hz
Número de canais:	2 estereo
Relação sinal/ruído:	70dB

## Rádio FM

Faixa de Frequencia:	87.5-107.9MHz U.S. 87.5-108MHz EURO
Frequência Intermediária:	10.7 Mhz
Sensibilidade Útil:	melhor que 15dB a S/N 30dB
Separação estereo	25 dB at 1KHz
Relação Sinal/Ruído	50 dB

## AM/MW

Faixa de frequência:	530-1710KHz U.S. 522-1620KHz EURO
Frequencia intermediária:	450KHz
Sensibilidade Útil:	Melhor do que 45dB
Relação Sinal/Ruído:	40dB

## Geral:

Alimentação:	DC 11-14V
Polaridade:	Terra negativo
Impedância alto-falantes:	4ohms
Potência de saída:	60w x 4

## Nota:

As especificações estão sujeitas a alterações sem prévio aviso.

**ES**

## CD PLAYER

Sistema:	Compact disc audio system.
Disco:	Compact Disc.
Frecuencia de Muestreo:	44.1KHz
Cuantificación:	1bit
Frecuencia:	5-20,000Hz.
Número de canales:	2 estereo.
Relación señal/Ruido S/N Ratio	70dB

## RADIO SECCIÓN

<b>FM</b>	
Rango Frecuencia:	87.5-107.9MHz U.S. 87.5-108MHz EURO
Frecuencia Intermedia:	10.7Mhz.
Sensibilidad Útil:	Mejor que 15dB a S/N 30dB.
Separação estereo:	25dB a 1KHz.
S/N Ratio:	50dB.

## AM/MW

Rango Frecuencia:	530-1710KHz U.S. 522-1620KHz EURO
Frecuencia Intermedia:	450KHz.
Sensibilidad útil:	Mejor que 45dB.
S/N Ratio:	40dB.

## GENERAL

Alimentación:	DC 11-14V.
Polaridad:	Negativo a masa.
Impedancia altavoces:	4 Ohms.
Potencia de salida:	4x60W.

## Nota:

Debido al rápido avance tecnológico, estas especificaciones están sujetas a cambios sin previo aviso.

**IT**

## LETTORE CD

Sistema	Sistema di Audio CD
Tipo di disco	CD
Frequenza di campionatura	44.1KHz
N° quantizzazioni Bit	1 bit
Frequenza	5-20,000 Hz
Numero di Canali	2 stereo
Rapporto S/N	70dB

## SEZIONE RADIO

<b>FM</b>	
Raggio di Frequenza	87.5-107.9MHz U.S. 87.5-108MHz EURO
Frequenza intermedia	10.7 Mhz
Sensibilità	migliore di 15dB a S/N 30 dB
Separação Stereo	25dB a 1KHz
Rapporto S/N	50dB

## AM/MW

Raggio di Frequenza	530-1710KHz U.S. 522-1620KHz EURO
Frequenza intermedia	450KHz
Sensibilità	migliore di 45dB
Rapporto S/N	40dB

## GENERALE

Alimentazione	Dc11 14V
Polarità	Terra negativo
Impedanza altoparlanti	4 ohms
Potenza d'uscita	4x 60 Watts

Le specifiche sono soggette a cambiamenti senza alcun preavviso.

## 15. TROUBLE SHOOTING

Before going through the check list, check wiring connection. If any of the problems persist after check list has been made, consult your nearest service dealer.

Symptom	Cause	Solution
No power	The car ignition is not on.	If the power supply is properly connected to the car accessory terminal, switch the ignition key to "ACC"
	The fuse is blown.	Replace the fuse.
Disc cannot be loaded or ejected	Presence of CD disc inside the player.	Remove the disc in the player, then put a new one.
	Inserting the disc in reverse direction.	Insert the compact disc with the label facing upward.
	Compact disc is extremely dirty or defective disc.	Clean the disc or try to play a new one.
	Temperature inside the car is too high.	Cool off or until the ambient temperature returns to normal.
	Condensation.	Leave the player off for an hour or so, then try again.
No sound	Volume is in minimum.	Adjust volume to a desired level.
	Wiring is not properly connected.	Check wiring connection.
The operation keys do not work	The built-in microcomputer is not operating properly due to noise.	Press the RESET button. Front panel is not properly fixed into its place
Sound skips.	The installation angle is more than 30 degrees.	Adjust the installation angle to less than 30 degrees.
	The disc is extremely dirty or a defective disc.	Clean the compact disc or try to play a new one.
The radio does not work. The radio station automatic selection does not work.	The antenna cable is not connected.	Insert the antenna cable firmly.
	The signals are too weak.	Select a station manually.
ERROR 1	Mechanism Error	Press the reset button if the error code does not disappear, consult your nearest service dealer.
ERROR 2	Servo Error	Press the reset button if the error code does not disappear, consult your nearest service dealer.



**If at any time in the future you should need to dispose of this product please note that Waste electrical products should not be disposed of with household waste. Please recycle where facilities exist. Check with your Local Authority or retailer for recycling advice.(Waste Electrical and Electronic Equipment Directive)**

**5UA**  
COMPATIBLE IN-DASH CD RECEIVER WITH  
LEVEL USB PORT AND AUX INPUT  
IN FREQUENCY MODEL

Support: [www.bossaudio.com/support](http://www.bossaudio.com/support)



E4 10 R - 02 0896

**BOSS**  
AUDIO SYSTEMS

BOSS Audio Systems • 3451 Lunar Court • Oxnard, CA 91320